



PL3929 12V Single coil Motor Driver IC with PWM control

Applications

- Single coil DC brushless motor

Features

- Built-in hall sensor
- Single phase full wave driver
- Soft switching output driver
- Motor locked protection and automatic restart
- Speed controllable by DC/PWM
- FG output
- Current limit
- Low speed setting
- Quick start
- Built-in hysteresis comparator
- Built-in zener diode
- High balance and low thermal drift magnetic sensing
- Low power consumption and high driving efficiency

Specifications

Absolute Maximum Ratings (Ta=25°C)

Parameter	Symbol	Conditions	Rating	Units
Maximum supply voltage	VDDmax		18	V
Allowable power dissipation	Pd		833 ^{*1}	mW
Operating temperature	Ta		-40~+100	°C
Storage temperature	Ts		-50~+150	°C
Max. output current	Iomax	0.5sec	1200 ^{*2}	mA
Max. FG output voltage	VFGMAX		18	V
Max. FG output current	IFGMAX		10	mA
VREF driving capability	IVREF		5	mA
Junction Temperature	Tj		150	°C

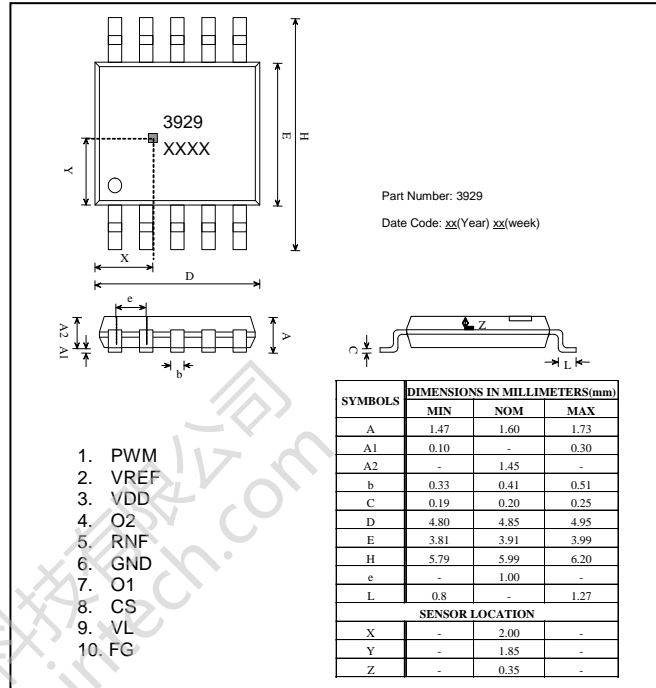
*1: Reduced by 6.67mW for each increase in Ta of 1°C over 25°C When mounted on 50mm x 50mm x 1.6mm glass epoxy board

*2: Should not exceed Pd

◆ All PROLIFIC products described or contained herein do not have specifications that can handle applications require extremely high levels of reliability, such as life-support systems, aircraft control systems, or other applications whose failure can be reasonably expected to result in serious physical and/or material damage. Consult with your PROLIFIC representative nearest you before using any PROLIFIC products described or contained herein in such applications.

◆ PROLIFIC assumes no responsibility for equipment failures that result from using products at values that exceed, even momentarily, the rated values (such as maximum ratings, operating condition ranges, or other parameters) listed in products specifications of any and all PROLIFIC products described or contained herein.

Package: SOP-10pin

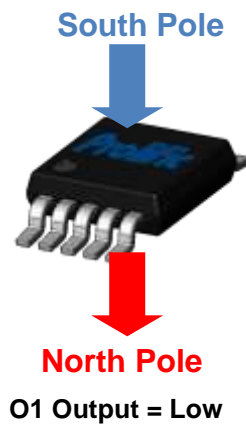


Electrical Characteristics (T_A=+25°C, V_{DD}=12V)

Characteristic	Symbol	Test Condition	Min.	Typ.	Max.	Units
Supply Voltage	V _{DD}		3.8		15	V
Output High Voltage	V _{OH(ON)}	@ I _{OUT} =300mA	V _{DD} -0.4	V _{DD} -0.2		V
Output Low Voltage	V _{OL(ON)}	@ I _{OUT} =300mA		0.2	0.4	V
Output Voltage Clamp	V _{BV}		18			V
Supply Current	I _{DD}	Output open		7	10	mA
FG output voltage	V _{FG}				18	V
FG sink voltage	V _{DSFG}	R _{FG} =4.7K		0.2	0.3	V
PWM input voltage	V _{PWM}		0		VREF	V
PWM input current	I _{PWM}				10	uA
Built-in PWM frequency	F _{PWM}		20	25	30	KHz
PWM ON Duty 1	D1	V _{PWM} =1V	75	80	85	%
PWM ON Duty 2	D2	V _{PWM} =2.5V	15	20	25	%
VREF Voltage	V _{REF}		3.6	3.8	4.0	V
VL input Voltage	V _L		GND		VREF	V
VL input current	I _{VL}				-10	uA
Current limit Voltage	V _{CL}		220	250	280	mV
Shutdown Time	T _{SD}		2.8	4.2	5.6	S
Restart Time	T _{RS}		0.2	0.3	0.4	S
Magnetic Characteristics (T_A=+25°C, V_{DD}=12V)						
Operate Point	B _{OP}		-	15	35	G
Release Point	B _{RP}		-35	-15	-	G
Hysteresis	B _{HYS}		10	30	60	G

Truth Table

Parameter	Test Condition	O1	O2	FG	Mode
North Pole to Marking side	B<B _{rp}	H	L	H	During rotation
South Pole to Marking side	B>B _{op}	L	H	L	



General Specifications

The PL3929 is a variable speed DC fan motor driver IC with built-in Hall sensor. The built-in dynamic offset cancellation of pre-amplifier stage achieves optimal symmetrical magnetic sensing. The output driver provides a linear drive to eliminate switching noise. This IC is an optimal solution with speed controllable by direct PWM input signal for DC brushless fan application.

Lock Protection

In order to protect the motor, the driver IC will be shutdown to drive the coil when the motor is locked over 0.3 second. Then, it restarts to drive the motor after 4.2 seconds. Figure 1 shows the timing diagram between the hall input signal and driver's output state.

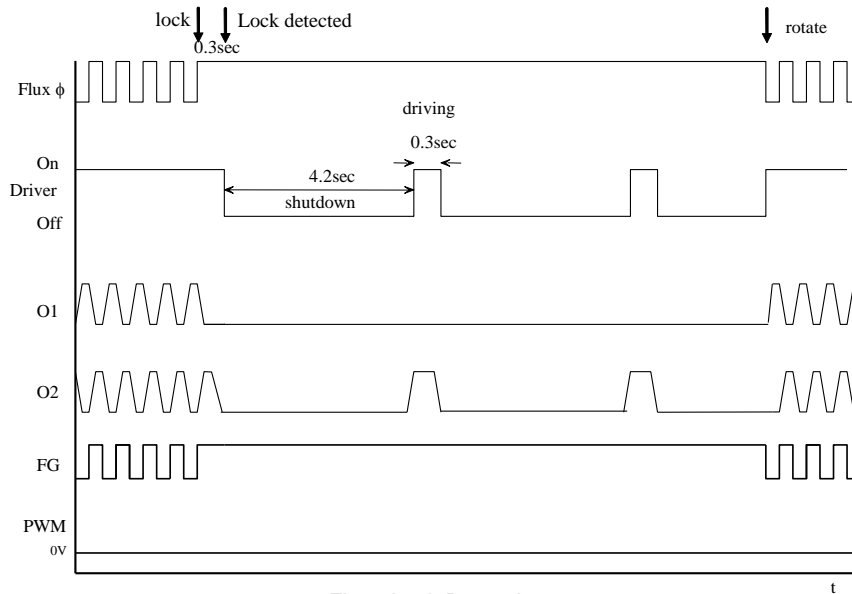


Fig 1. Lock Protection

PWM Speed Control

This Driver IC has built-in pulse width modulation to control motor speed. The output duty cycle of PWM is controlled by the direct voltage level of V_{PWM} . The V_{PWM} input voltage determines the PWM duty cycle and control the speed of fan motor as Fig 2. The V_{PWM} Voltage is compared with an internal 0.5V-3V saw waveform V_{SAW} and output PWM duty control signal. The output PWM ON duty cycle is controlled by 0.5V~3V DC V_{PWM} voltage from 100% to 0%. The formula of ON duty is $Duty = -40(V_{PWM} - 3)\%$. The digital PWM input signal also can be converted to DC voltage level via an external RC low pass filter.

Lowest speed setting

The VL is used to set the lowest duty cycle of PWM output as Fig3. The VL voltage determines the lowest speed of Fan motor. Example, the minimum ON duty will be 20% when $VL = 2.5V$. However, this driver IC starts motor with full duty of PWM in beginning.

Quick Start

Motor's speed is controlled by PWM input signal. When PWM pin is open or tied to GND, the motor will be full speed rotation. This PWM speed control make the lock protection off and stop the motor when the PWM input keeps high level (>3V) for more than 25mS(typ.). The motor will be started directly without the lock protection time delay when the PWM signal set to (0V~VL) as Fig4.

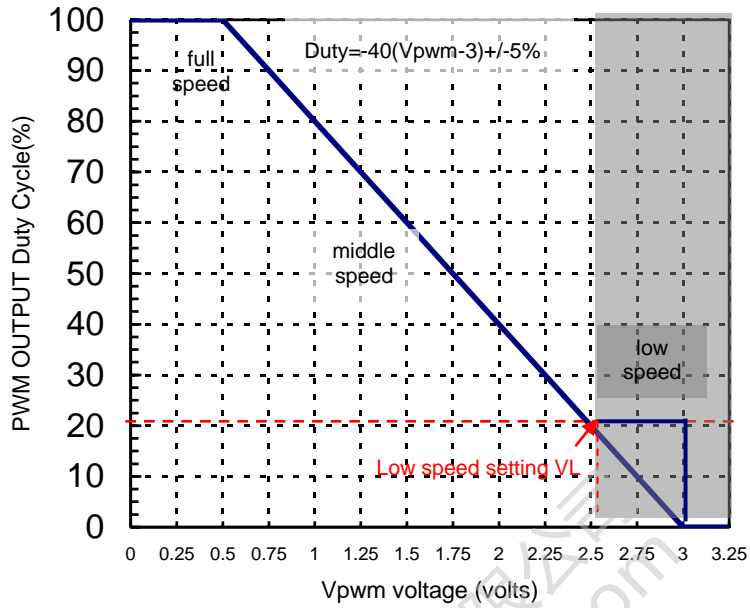


Fig. 2 Output duty cycle vs. V_{PWM} voltage

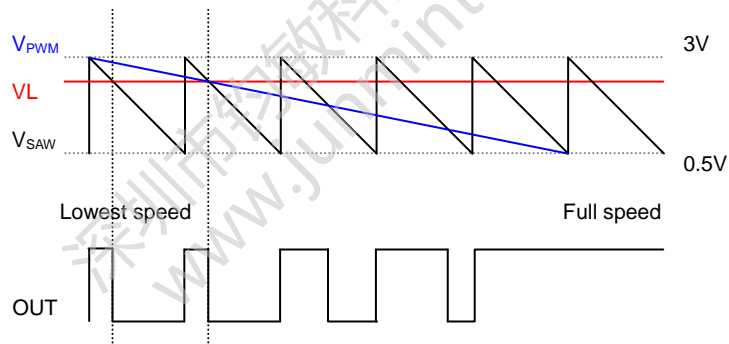


Fig. 3 Output duty cycle vs. V_L voltage

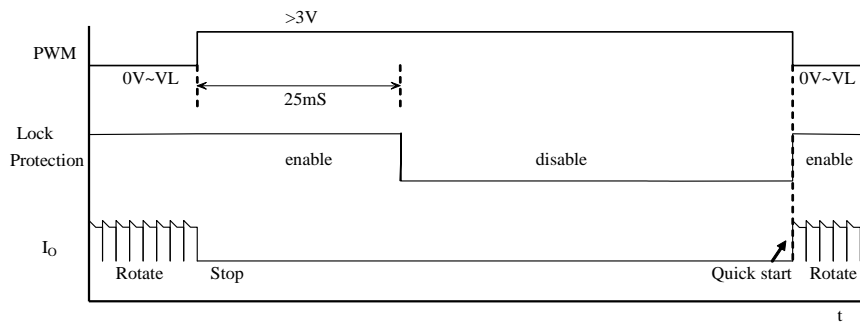


Fig. 4. PWM input and Lock Protection

Current limit

This driver IC has built-in current limit function to protect Fan motor. The output current limit is activated when the current sensing voltage CS detected from RNF resistor exceeds 250mV (typical). The value of current limit is got by the formula $250\text{mV}/\text{RNF}$. Example, the maximum output current is limited at 1A when the current detecting resistor RNF is 0.25ohm. The value of current limit is adjustable to meet different need by RNF changing. If the $\text{RNF}=1\text{ohm}$, the value of current limit is 250mA.

$$\text{Current Limit (A)} = 0.25(\text{V}) / \text{RNF}(\Omega)$$

Low-pass filter constituted by R1,C1 could smooth RNF signal but also increase limit error due to sensing delay. R1,C1 value shall be decided first and match with coils. Then, adjust RNF resistor value to obtain ideal current limit value.

Hall Sensor

This Hall effect sensor IC integrates the sensor, pre-amplifier with dynamic offset cancellation and the hysteresis comparator in single chip. The hysteresis characteristic is illustrated in Fig. 5 and the threshold of the magnetic flux density is + 15 Gauss.

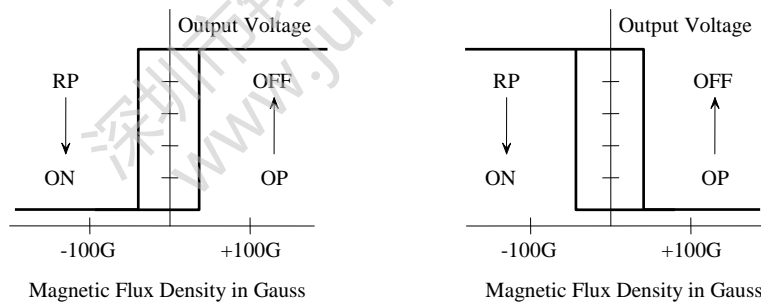


Fig 5. Magnetic Hysteresis Characteristics

The Driver IC architecture block diagram is shown in Fig. 6.

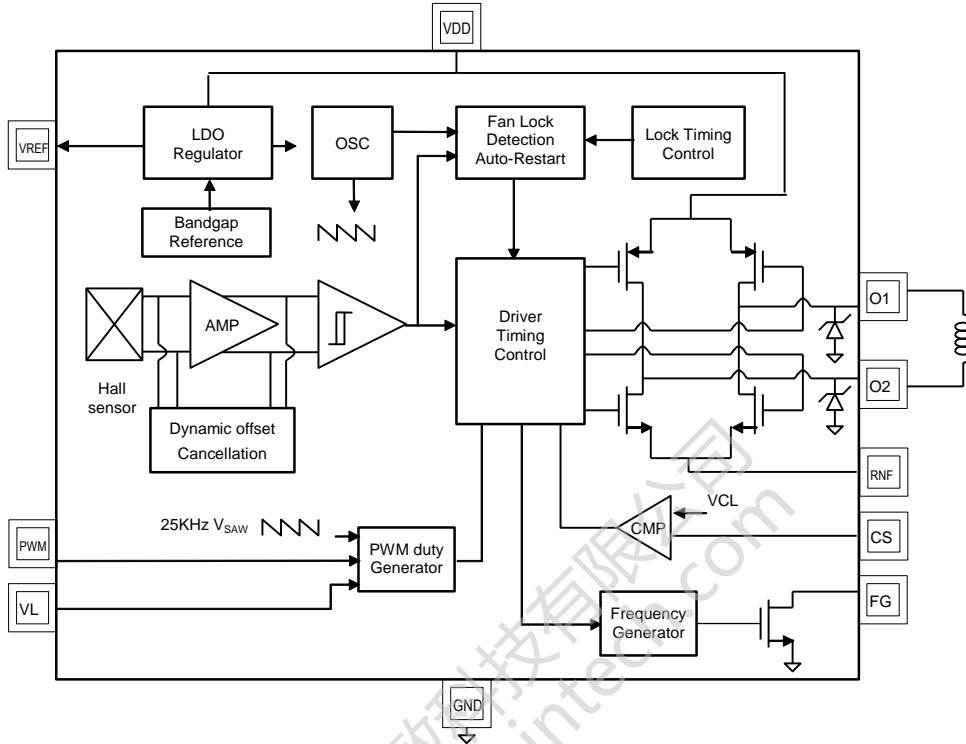
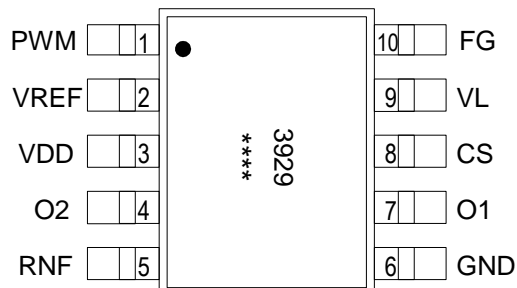


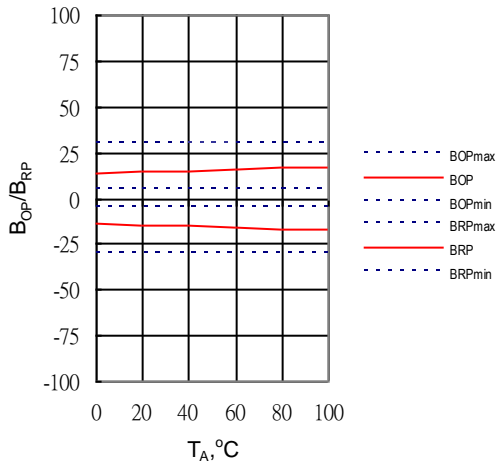
Fig6. PWM Driver IC Architecture

Pin Description

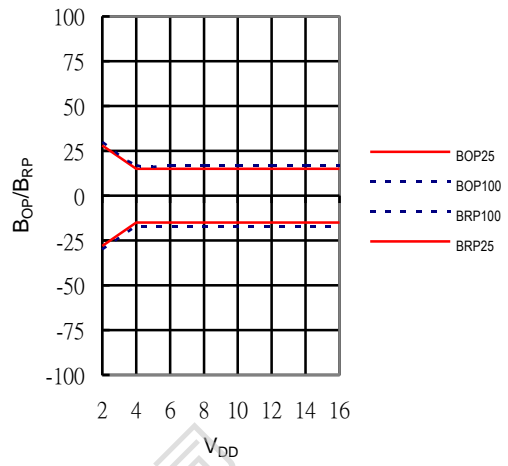
Name	Pin	Description	Type
PWM	1	Direct PWM speed control input	I
VREF	2	Reference voltage output	O
VDD	3	DC power supply	P
O2	4	First output pin	O
RNF	5	Current sensing resistor	O
GND	6	DC ground	P
O1	7	Second output pin	O
CS	8	Current sensing input	I
VL	9	Low speed setting	I
FG	10	Frequency Generation	O



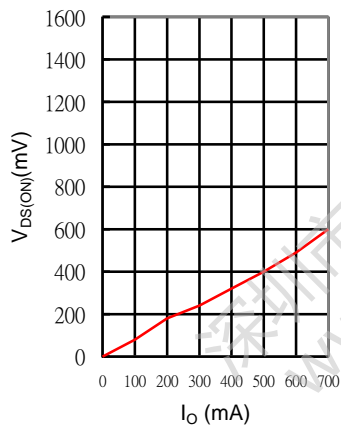
B_{OP} , B_{RP} versus temperature



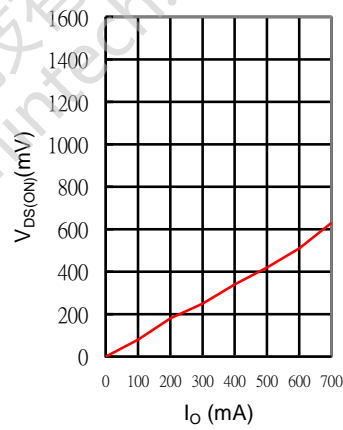
B_{OP} , B_{RP} versus supply voltage



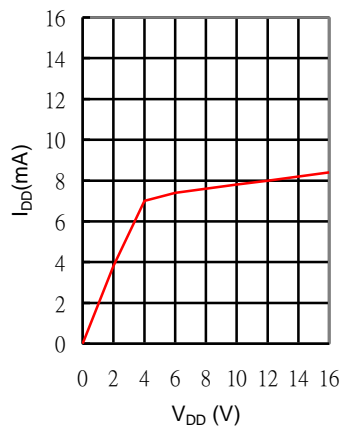
$V_{OL(ON)}$ versus I_O current



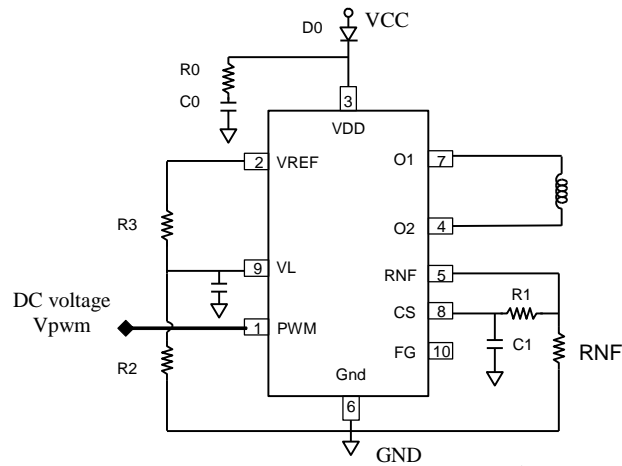
$V_{OH(ON)}$ versus I_O current



I_{DD} versus power supply



Application circuits
DC voltage PWM input

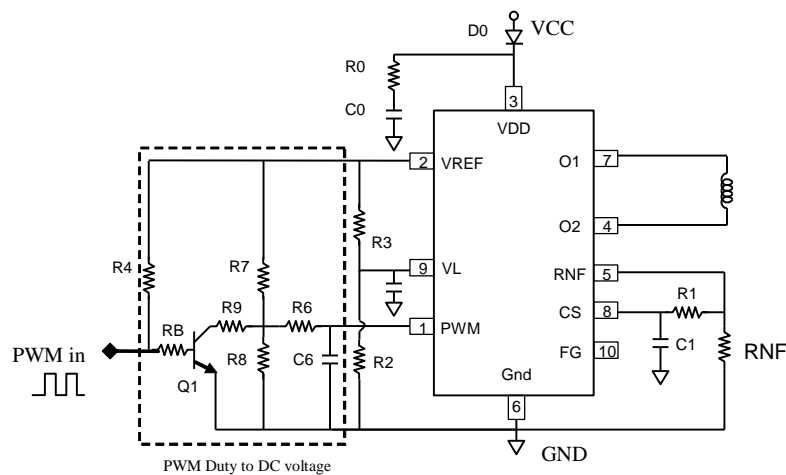


- C0: decoupling capacitor 0.1uF ~ 1uF
- R0: Snubber circuit resistor 4.7ohm~10ohm
- RNF: Current sensing resistor (ex. 0.25ohm for 1A current limit)
- C1, R1: Low pass filter (ex. C1=1n~0.01uF, R1=1K~10K; need to match with coil)
- R2, R3: Low speed setting resistor (ex. R2=10K, R3=5.2K, VL=VREF*R2/(R2+R3)=2.5V)

Duty=-40(V_pwm-3)%

PWM Voltage(V_pwm)	Output Duty(on/off)%	FAN Speed
0V~0.5V	100/0	Full speed
1.0V	80/20	
1.5V	60/40	
2.0V	40/60	
2.5V	20/80	Low speed
3.0V~	0/100	STOP

Digital PWM input

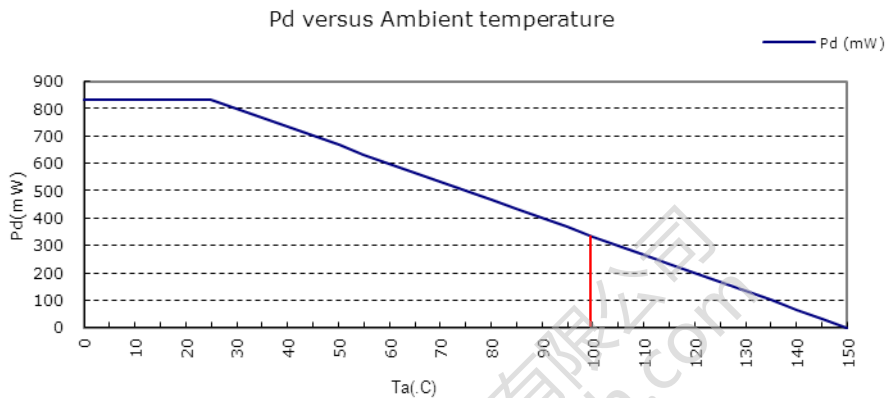


- R4: pull up resistor (option)
- RB: Bias resistor 1K~10K for Q1
- C6, R6: Low pass filter (ex. R6=100K~470K, C6=0.01uF~1uF)
- R7, R8, R9: V_pwm level setting resistor (ex. R7=1.8K, R8=10K, R9=0~330)
- Q1: NPN Transistor (ex 2222A)

Thermal resistance

Parameter	Symbol	Conditions	Rating	Units
Allowable power dissipation	P_d		833 ^{*1}	mW
Junction to ambient thermal resistance	θ_{JA}		150	°C/W
Junction to case thermal resistance	θ_{JC}		50	°C/W
Maximum junction temperature	T_J		150	°C

*1: Reduced by 6.67mW for each increase in T_a of 1°C over 25°C When mounted on 50mm x 50mm x 1.6mm glass epoxy board



- ◆ Specifications of any and all PROLIFIC products described or contained herein stipulate the performance, characteristics, and functions of the described products in the independent state, and are not guarantees of the performance, characteristics, and functions of the described products as mounted in the customer's products or equipment. To verify symptoms and states that cannot be evaluated in an independent device, the customer should always evaluate and test devices mounted in the customer's products or equipment.
- ◆ PROLIFIC Technology Inc. strives to supply high-quality high-reliability products. However, any and all semiconductor products fail with some probability. It is possible that these probabilistic failures could give rise to accidents or events that could endanger human lives, that could give rise to smoke or fire, or that could cause damage to other property. When designing equipment, adopt safety measures so that these kinds of accidents or events cannot occur. Such measures include but are not limited to protective circuits and error prevention circuits for safe design, redundant design, and structural design.
- ◆ In the event that any and all PROLIFIC products described or contained herein fall under strategic products (including services) controlled under the Foreign Exchange and Foreign Trade Control Law of Taiwan, such products must not be exported with our obtaining export license from the Ministry of international Trade and Industry in accordance with the above law.
- ◆ No part of this publication may be reproduced or transmitted in any form or by any means, electronic or mechanical, including photocopying and recording, or any information storage or retrieval system, or otherwise, without the prior written permission of PROLIFIC Technology Inc.
- ◆ Any and all information described or contained herein are subject to change without notice due to product/technology improvement, etc. When designing equipment, refer to the Delivery Specification for the PROLIFIC product that you intend to use.
- ◆ Information (including circuit diagrams and circuit parameters) herein is for example only; it is not guaranteed for volume production. PROLIFIC believes information herein is accurate and reliable, but no guarantees are made or implied regarding its use or any infringements of intellectual property rights or other rights of third parties.

Specifications and information herein are subject to change without notice.