



## High and Low Side Driver

### General Description

The MT8006 is a high voltage, high speed power MOSFET and IGBT driver based on P<sub>SUB</sub>P<sub>EPI</sub> process. The floating channel driver can be used to drive two N-channel power MOSFET or IGBT independently which operates up to 300 V. Logic inputs are compatible with standard CMOS or LSTTL output, down to 3.3V logic. The output drivers feature a high pulse current buffer stage designed for minimum driver cross-conduction. Propagation delays are matched to simplify use in high frequency applications. It has two versions MT8006A & MT8006B.

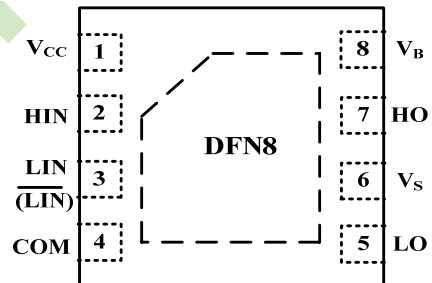
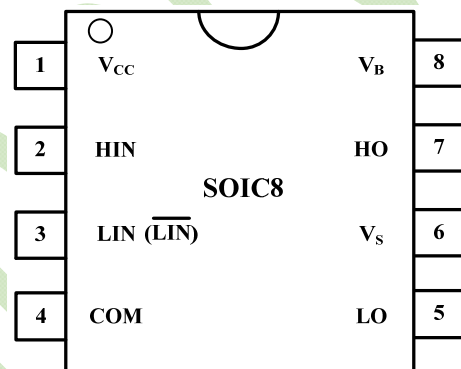
### Features

- Fully operational to +300 V
- 3.3 V logic compatible
- dV/dt Immunity ±50 V/nsec
- Floating channel designed for bootstrap operation
- Gate drive supply range from 12 V to 20 V
- Output Source / Sink Current Capability 450mA / 900mA (at V<sub>CC</sub> = 15V)
- Independent Logic Inputs to Accommodate All Topologies
- -5V negative V<sub>S</sub> ability
- Matched propagation delay for both channels

### Applications

- Small and medium- power motor driver
- Power MOSFET or IGBT driver
- Half-Bridge Power Converters
- Full-Bridge Power Converters
- Any Complementary Drive Converters

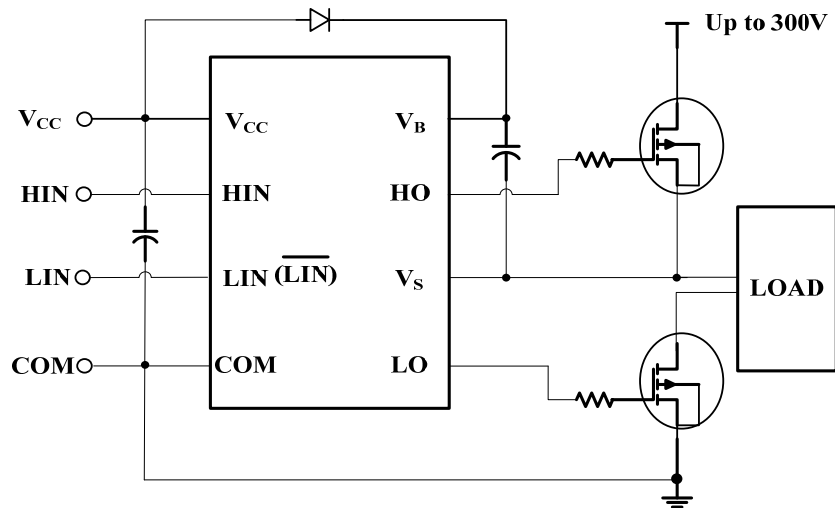
### Packages/Order information



(LIN: A version  $\overline{\text{LIN}}$ : B version)

Part number	Order Code	Package
MT8006A	MT8006ASEC-R1	SOIC8
	MT8006ADEC-R1	DFN8
MT8006B	MT8006BSEC-R1	SOIC8
	MT8006BDEC-R1	DFN8

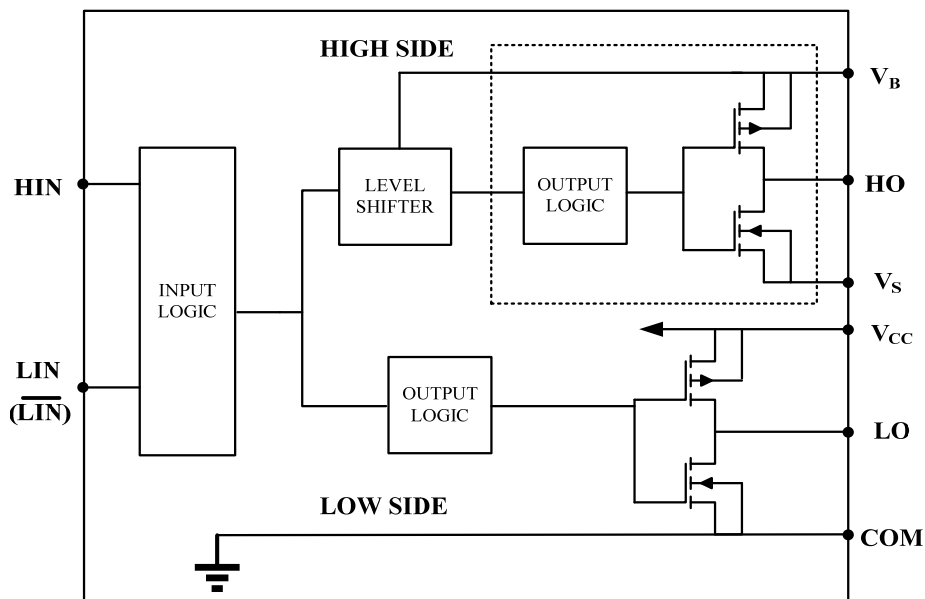
## Typical Application Circuit



## Pin Description

PIN NO.	PIN NAME	PIN FUNCTION
1	V <sub>CC</sub>	Low side and main power supply
2	HIN	Logic input for high side gate driver output (HO)
3	LIN( $\overline{\text{LIN}}$ )	Logic input for low side gate driver output (LO)
4	COM	Ground
5	LO	Low side gate drive output A version: in phase with LIN    B version: out of phase with LIN
6	V <sub>S</sub>	High side floating supply return or bootstrap return
7	HO	High side gate drive output, in phase with HIN
8	V <sub>B</sub>	High side floating supply

## Functional Block Diagram



## Absolute Maximum Ratings <sup>[Note1]</sup>

Symbol	Definition	MIN.	MAX.	Units	
V <sub>B</sub>	High side floating supply	-0.3	300	V	
V <sub>S</sub>	High side floating supply return	V <sub>B</sub> - 22	V <sub>B</sub> + 0.3		
V <sub>HO</sub>	High side gate drive output	V <sub>S</sub> - 0.3	V <sub>B</sub> + 0.3		
V <sub>CC</sub>	Low side and main power supply	-0.3	22		
V <sub>LO</sub>	Low side gate drive output	-0.3	V <sub>CC</sub> + 0.3		
V <sub>IN</sub>	Logic input of HIN & LIN	-0.3	V <sub>CC</sub> + 0.3		
ESD	HBM Model	2.5		kV	
	Machine Model	200		V	
P <sub>D</sub>	Package Power Dissipation @ TA ≤ 25°C	8 Lead SOIC	--	0.625	W
RthJA	Thermal Resistance Junction to Ambient	8 Lead SOIC	--	200	°C /W
T <sub>J</sub>	Junction Temperature	--	150	°C	
T <sub>S</sub>	Storage Temperature	-55	150		
T <sub>L</sub>	Lead Temperature (Soldering, 10 seconds)	--	300		

**Note 1:** Exceeding these ratings may damage the device.

## Recommended Operating Conditions

Symbol	Definition	MIN.	MAX.	Units
V <sub>B</sub>	High side floating supply	V <sub>S</sub> + 12	V <sub>S</sub> + 20	V
V <sub>S</sub>	High side floating supply return	-	300	
V <sub>HO</sub>	High side gate drive output voltage	V <sub>S</sub>	V <sub>B</sub>	
V <sub>CC</sub>	Low side supply	12	20	
V <sub>LO</sub>	Low side gate drive output voltage	0	V <sub>CC</sub>	
V <sub>IN</sub>	Logic input voltage(HIN & LIN)	0	V <sub>CC</sub>	
T <sub>A</sub>	Ambient temperature	-40	125	°C

## Dynamic Electrical Characteristics

V<sub>BIAS</sub> (V<sub>CC</sub>, V<sub>BS</sub>) = 15V, C<sub>L</sub> = 1000 pF and T<sub>A</sub> = 25°C unless otherwise specified.

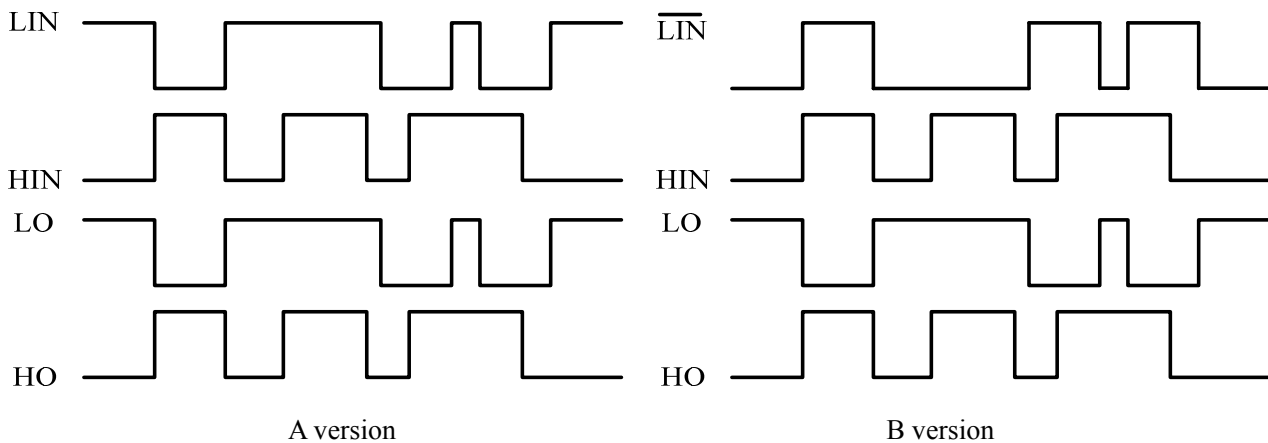
Symbol	Definition	TYP.	MAX.	Units
t <sub>onH</sub>	High side turn-on propagation delay	170	240	ns
t <sub>offH</sub>	High side turn-off propagation delay	170	240	
t <sub>onL</sub>	Low side turn-on propagation delay	170	240	
t <sub>offL</sub>	Low side turn-off propagation delay	170	240	
MT	Delay matching	—	50	
t <sub>r</sub>	Turn-on rise time	50	90	
t <sub>f</sub>	Turn-off fall time	30	80	

## Static Electrical Characteristics

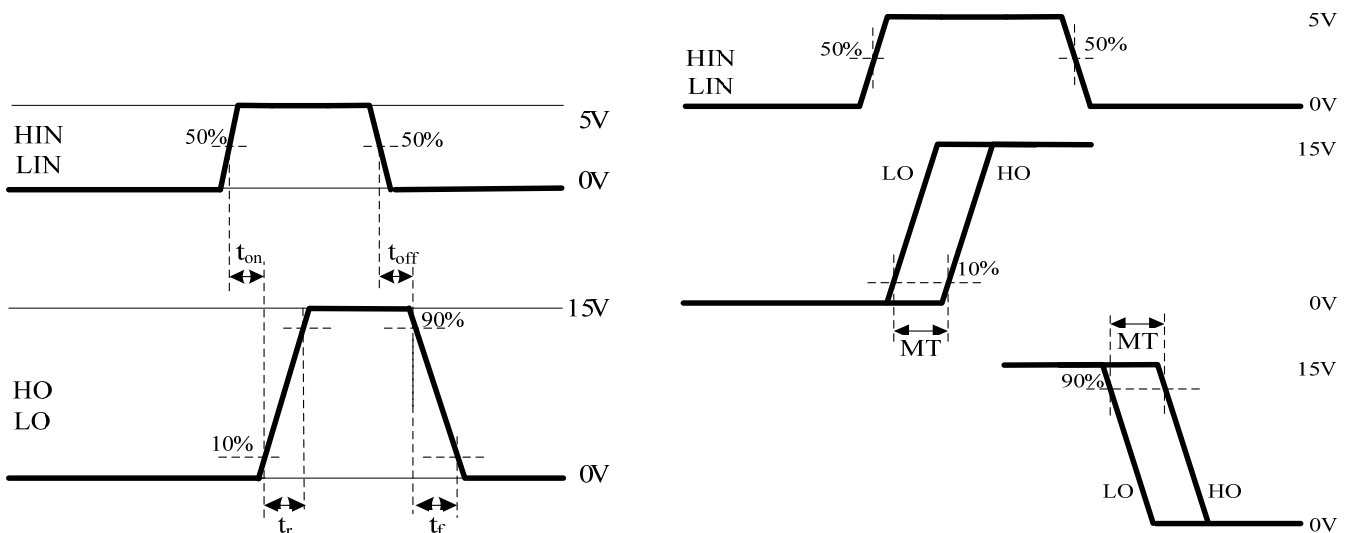
$V_{BIAS} (V_{CC}, V_{BS}) = 15V$ ,  $C_L = 1000$  pF and  $T_A = 25^\circ C$  unless otherwise specified.

Symbol	Definition	MIN.	TYP.	MAX.	Units
$V_{IH}$	Logic "1" (HIN & LIN) input voltage	2.5	-	-	V
$V_{IL}$	Logic "0" (HIN & LIN) input voltage	-	-	0.8	
$V_{OH}$	High level output voltage, $V_{BIAS} - V_O$	-	-	0.3	
$V_{OL}$	Low level output voltage, $V_O$	-	-	0.3	
$I_{QCC}$	Quiescent $V_{CC}$ supply current	-	160	220	$\mu A$
$I_{QBS}$	Quiescent $V_B$ supply current	-	80	150	
$V_{CCU+}$	$V_{CC}$ supply UVLO threshold	-	10.2	-	V
$V_{CCU-}$		-	9.4	-	
$V_{BSU+}$	$V_{BS}$ supply UVLO threshold	-	9.9	-	
$V_{BSU-}$		-	9.5	-	
$I_{LK}$	Leakage current from $V_S(600V)$ to GND		-	50	$\mu A$
$I_{IN+}$	Logic "1" input bias current	-	6	10	
$I_{IN-}$	Logic "0" input bias current	-	1	2	
$I_{O+}$	Output high short circuit pulsed current		450		mA
$I_{O-}$	Output low short circuit pulsed current		900		

## Logic Function



## Timing Spec

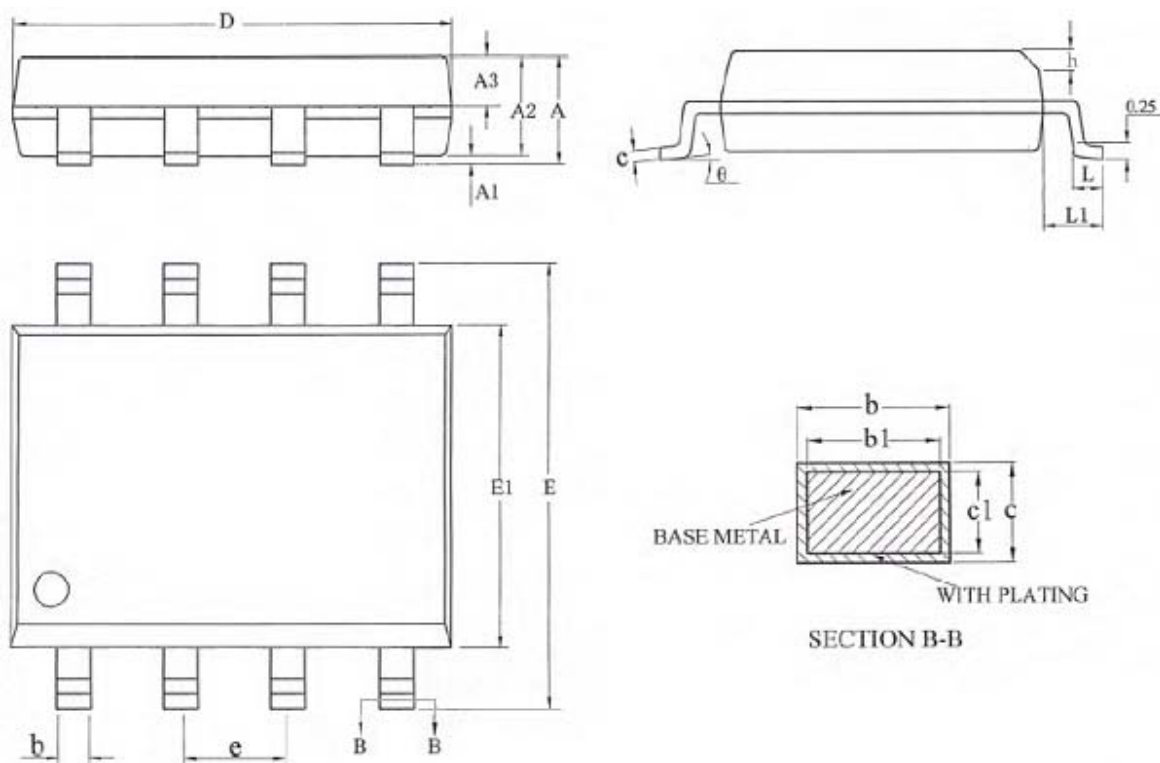


# Package Information

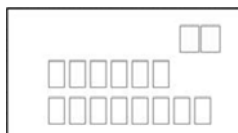
## SOIC8 Package Dimensions

Size Symbol	MIN(mm)	TYP(mm)	MAX(mm)	Size Symbol	MIN(mm)	TYP(mm)	MAX(mm)
A	-	-	1.75	D	4.70	4.90	5.10
A1	0.10	-	0.225	E	5.80	6.00	6.20
A2	1.30	1.40	1.50	E1	3.70	3.90	4.10
A3	0.60	0.65	0.70	e	1.27BSC		
b	0.39	-	0.48	h	0.25	-	0.50
b1	0.38	0.41	0.43	L	0.50	-	0.80
c	0.21	-	0.26	L1	1.05BSC		
c1	0.19	0.20	0.21	$\theta$	0	-	8°

## Package Outlines



## SOIC8 Package Mark Information



TOP Mark
Logo
MT8006M <sup>Note1</sup>
YWXXXXXX <sup>Note2</sup>

Note1: M: A or B;

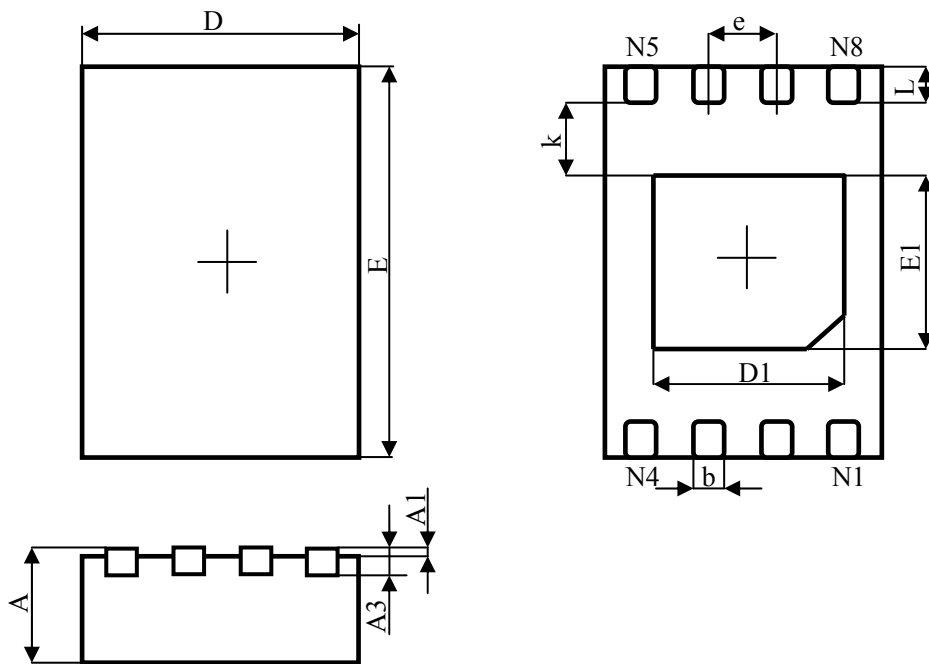
Note2: Y: Year code, WW: Week codes, XXXXX: Package codes

## DFN8 Package Dimensions

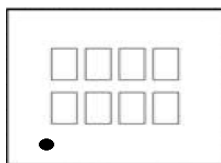
Symbol	Dimensions In Millimeters		Dimensions In Inches	
	Min.	Max.	Min.	Max.

A	0.700/0.800	0.800/0.900	0.028/0.031	0.031/0.035
A1	0.000	0.050	0.000	0.002
A3	0.203REF.		0.008REF.	
D	1.924	2.076	0.076	0.082
E	2.924	3.076	0.115	0.121
D1	1.400	1.600	0.055	0.063
E1	1.400	1.600	0.055	0.063
k	0.200MIN.		0.008MIN.	
b	0.200	0.300	0.008	0.012
e	0.500TYP.		0.020TYP.	
L	0.224	0.376	0.009	0.015

### Package Outlines



### DFN8 Package Mark Information



TOP Mark
8006
AYWX <sup>Note</sup>
Pin 1 indicator point

Note: A: Internal code, Y: Year code, W: Week codes, X: Package codes

---

## **Important Notice**

Mosway Technologies Ltd. reserves the right to make changes without further notice to any products or specifications herein. Mosway Technologies Ltd. does not assume any responsibility for use of any its products for any particular purpose, nor does Mosway Technologies Ltd assume any liability arising out of the application or use of any its products or circuits. Mosway Technologies Ltd does not convey any license under its patent rights or other rights nor the rights of others.