

DESCRIPTION

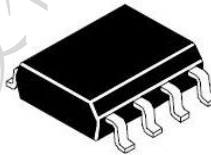
The PT5606 is a high speed high voltage (600V) driver to control power devices like MOS-transistors or IGBTs in half bridge systems with dependent high and low side referenced output channels. The logic input is compatible with standard CMOS or LSTTL output, down to 3.3V logic. The device includes an under-voltage detection unit with hysteresis characteristic and prevents power devices against large amount of conduction loss, when voltage margin of gate is not high enough. The output drivers feature a high pulse current buffer stage designed for minimum driver cross-conduction. The floating channel can be used to drive an N-channel power MOSFET or IGBT, in the high side configuration which operates up to 600 volts.

APPLICATIONS

- Appliance motor drives—air conditioners, washing machines, refrigerator, dish washer, Fans
- General purpose inverters
- Electric bike, Electric tools
- Lighting, switching power supply

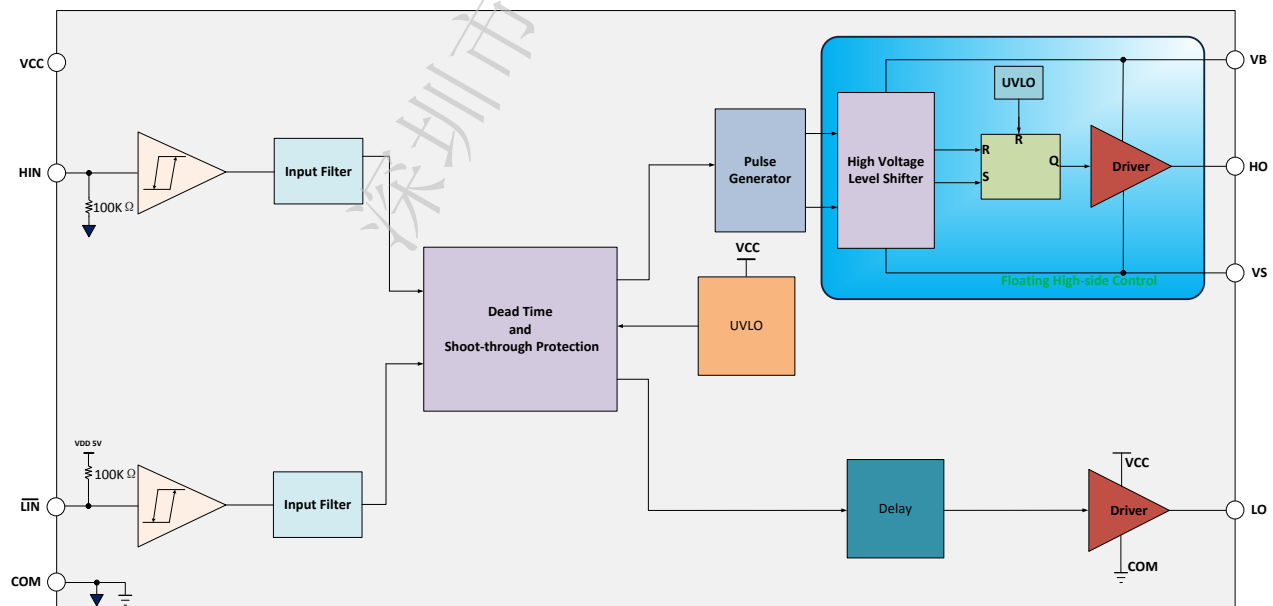
FEATURES

- Drives two IGBT/MOSFET power devices
- high side channel fully operate up to +600V
- Gate drive supplies from 10V to 20 V per channel
- Under-voltage lockout
- Advanced input filter
- Built-in dead-time protection: 0.5us
- IO+/-: 290/620mA, large sourcing current to bypass miller effect
- Shoot-through (cross-conduction) protection
- 3.3 V/5V/15V input logic compatible
- Matched propagation delays for all channels
- Matched dead time
- High side output in phase with HIN input
- Low side output out of phase with LIN input
- Tolerant to negative transient voltage, immunity of dv/dt up to 50V/ns
- Low di/dt gate drive for better noised immunity
- -40°C to 125°C operating range
- SOP8L Package available
- Lead-free

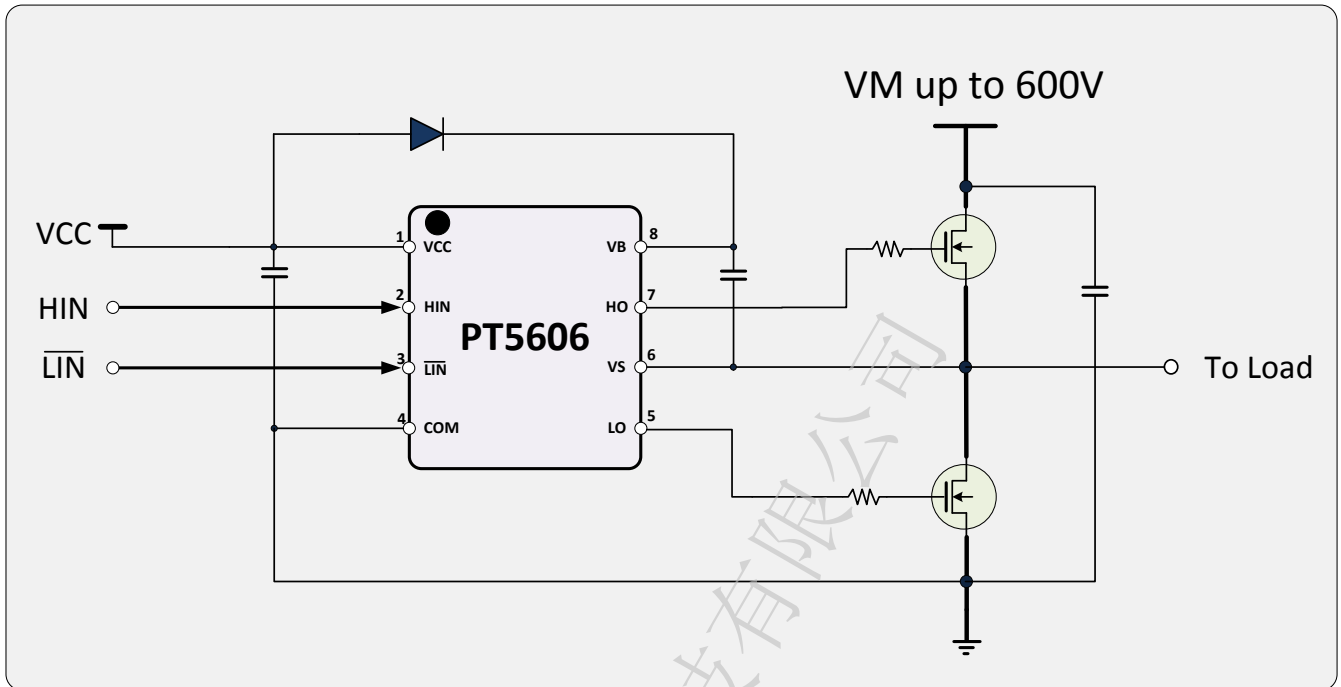


8-Lead SOP

BLOCK DIAGRAM



TYPICAL APPLICATION

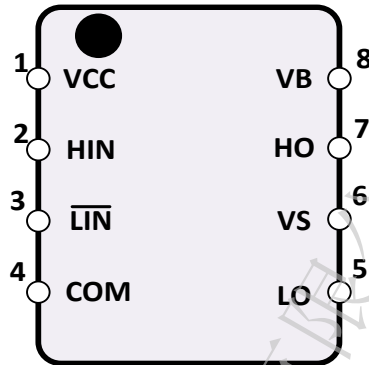


Typical application

ORDER INFORMATION

Valid Part Number	Package Type	Top Code
PT5606	150mil, SOP8L	PT5606-S
-	-	-

PIN CONFIGURATION



PT5606-S

Pin Configuration of PT5606

PIN DESCRIPTION

Pin Name	Description	Pin No.
VCC	Low-side supply voltage	1
HIN	Logic input for high-side gate driver output(HO), in phase	2
<u>LIN</u>	Logic input for low-side gate driver output(LO), out of phase	3
COM	Low-side gate drive return	4
LO	Low-side driver output	5
VS	High voltage floating supply return	6
HO	High-side driver output	7
VB	High-side gate drive floating supply	8

FUNCTION DESCRIPTION

LOW SIDE POWER SUPPLY

VCC is the low side supply and it provides power both to input logic and to low side output power stage. The built-in under-voltage lockout circuit enables the device to operate at sufficient power on when a typical VCC supply voltage higher than $V_{CCUV+} = 8.6$ is present, shown as FIG1. The IC shuts down the gate drivers outputs, when the VCC supply voltage is below $V_{CCUV-} = 8.1$ V, shown as FIG1. This prevents the external power devices from extremely low gate voltage levels during on-state and therefore from excessive power dissipation.

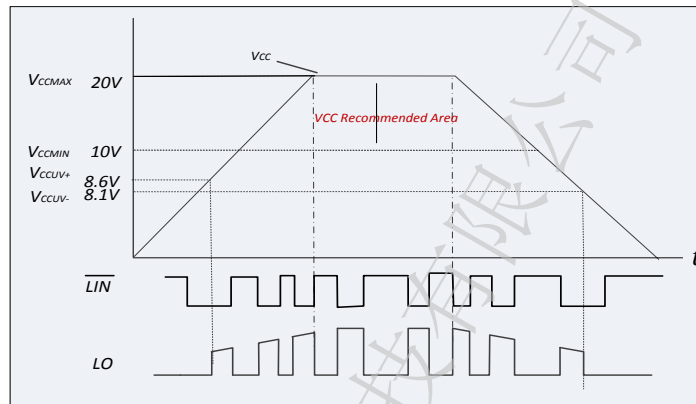


FIG.1 VCC supply UVLO operating area

HIGH SIDE POWER SUPPLY

VB to VS is the high side supply voltage. The totally high side circuitry can float with respect to COM following the external high side power device emitter/source voltage. Due to the internally low power consumption, the whole high side circuitry can be supplied by bootstrap topology connected to VCC, and it can be powered with small bootstrap capacitor tied between PIN VB and PIN VS.

The device operating area as a function of the supply voltage is given in Figure2.

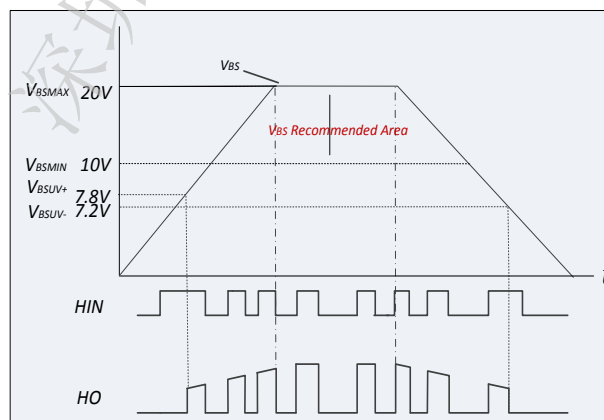


FIG.2 VBS supply UVLO operating area

LOW SIDE AND HIGH CONTROL INPUT LOGIC

The Schmitt trigger threshold of each input is designed enough low such to guarantee LSTTL and CMOS compatibility down to 3.3 V controller outputs. Input Schmitt trigger and advanced noise filter provide beneficial noise rejection to short input pulses.

DEAD TIME

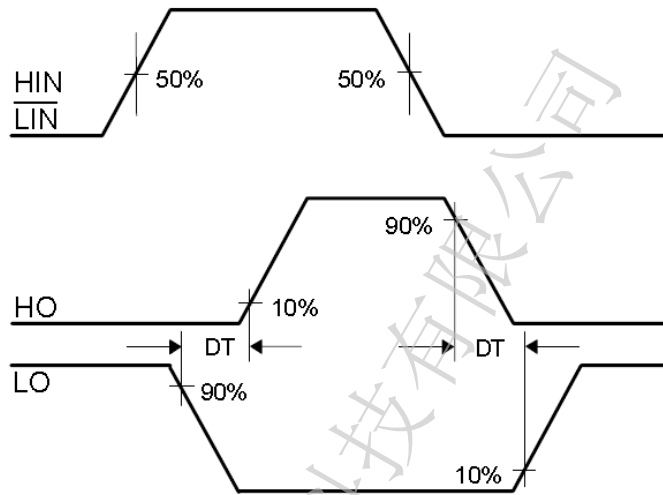


FIG.3 Dead Time

INPUT/OUTPUT TIMING DIAGRAM

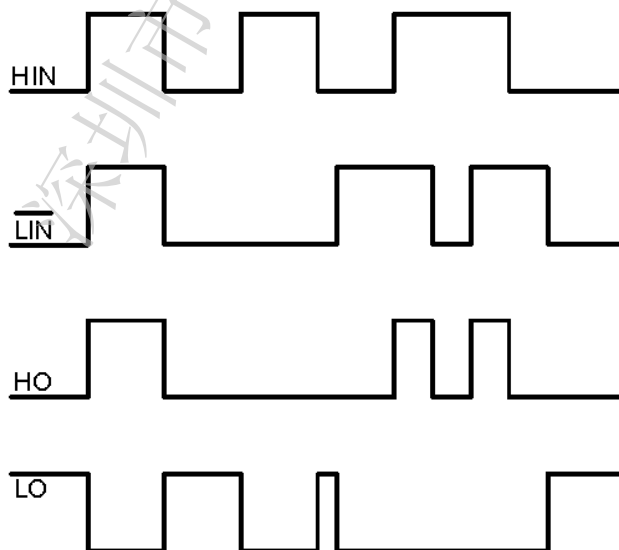


FIG.4 Timing diagram

SWITCHING TIME WAVEFORM

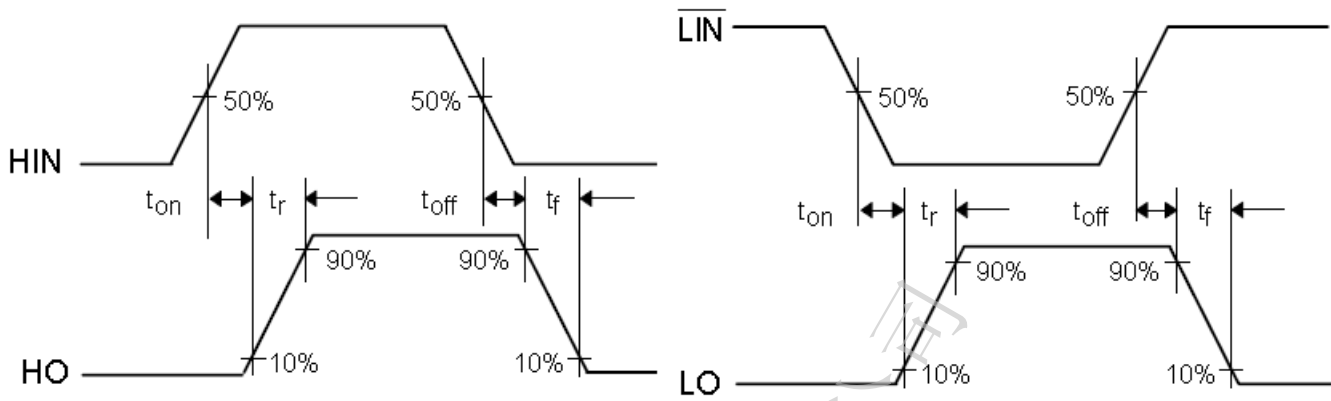


FIG.5 switching time waveform

深圳市鈞敏科技有限公司

ABSOLUTE MAXIMUM RATINGS

Stresses exceeding the absolute maximum ratings may damage the device or make the function abnormal. All the voltage parameters are absolute voltages referenced to COM unless otherwise stated in the table.

Parameter	Symbol	Min.	Max.	Units
High-side floating supply voltage	V_B	-0.3	625	V
High-side offset voltage	V_S	$V_B - 25$	$V_B + 0.3$	
High-side gate driver output voltage	V_{HO}	$V_S - 0.3$	$V_S + 0.3$	
Low-side gate driver output voltage	V_{LO}	COM-0.3	$V_{CC} + 0.3$	
Logic input voltage(HIN, LIN)	V_{HIN} V_{LIN}	-0.3	25	
Low-side supply voltage	V_{CC}	-0.3	25	
Allowable Offset Voltage Slew Rate	DV/DT		50	V/ns
Package power dissipation @ $T_A \leq +25^\circ\text{C}$	PD	-	0.625	W
Thermal resistance, junction to ambient	R_{thJA}		200	$^\circ\text{C}/\text{W}$
Junction temperature	T_J	-50	+150	$^\circ\text{C}$
Storage temperature	T_S	-50	+150	
Lead temperature (soldering, 10 seconds)	T_L	-	300	

RECOMMENDED OPERATING CONDITIONS

Parameter	Symbol	Min.	Typ.	Max.	Units
Low-side supply voltage	V_{CC}	10	-	20	V
High-side Floating Supply Offset Voltage(Note1)	V_S	-6	-	600	
High-side Floating Supply Voltage	V_B	$V_S + 10$	-	$V_S + 20$	
High-side gate driver output voltage	V_{HO}	V_S	-	V_B	
Low-side gate driver output voltage	V_{LO}	COM	-	V_{CC}	
Logic input voltage	V_{HIN} V_{LIN}	0	-	5	
IC operating junction temperature	T_J	-40	-	+125	$^\circ\text{C}$

Note:

- 1) For normal logic operation, it is recommended to keep the VS above -6V referenced to COM.

STATIC ELECTRICAL CHARACTERISTICS

($V_{CC}-COM$)=(V_B-V_S)=15V. $T_{AMB}=25$ °C unless otherwise specified, The V_{IN} , V_{TH} and I_{IN} parameters are referenced to COM. The V_O and I_O parameters are referenced to COM and are applicable to the respective output leads: HO or LO.

Parameter	Symbol	Test Conditions	Min.	Typ.	Max.	Unit
Low Side Power Supply Characteristics						
VCC quiescent current in UVLO mode	I_{QVCC}	$V_{HIN}=0, V_{LIN}=5V,$	-	170	230	μA
VCC supply under-voltage positive going threshold	V_{CCUV+}		7.7	8.6	9.5	V
VCC supply under-voltage negative going threshold	V_{CCUV-}		7.2	8.1	9	
V_{CC} supply under-voltage lockout hysteresis	V_{CCHYS}		-	0.5	-	
High Side Floating Power Supply Characteristics						
High side VBS supply under-voltage positive going threshold	V_{BSUV+}		7	7.8	8.4	V
High side VBS supply under-voltage negative going threshold	V_{BSUV-}		6.4	7.2	7.8	
High side VBS supply under-voltage lockout hysteresis	$V_{BSUVHYS}$		-	0.6	-	
High side VBS quiescent current in UVLO mode	I_{QBS}	$V_{BS}=15V$	-	40	55	μA
Offset supply leakage current	I_{LK}	$V_B=V_S=600V$ $V_{CC}=0V$	-	-	10	
Gate Driver Output Section						
Output High Short-Circuit Pulse Current	I_{O+}	$V_{HO}=V_S=0,$ $V_{HO}=V_B=15V,$ $PW<10\mu s$	-	290	-	mA
Output Low Short-Circuit Pulse Current	I_{O-}	$V_{LO}=COM=0,$ $V_{LO}=V_{CC}=15V,$ $PW<10\mu s$	-	620	-	
High level output voltage drop, $V_{CC}-V_{LO}, V_{BS}-V_{HO}$	ΔV_{OH}	$I_{O+}=20\text{ mA}$	-	0.4	1	V
Low level output voltage drop	ΔV_{OL}	$I_{O-}=20\text{ mA}$	-	0.15	0.3	V
Allowable Negative Vs Pin Voltage for COM	V_{SN}	Fixed $V_{BS}=15V$	-	-6	-	V
Logic Input Section						
Logic "1" Input voltage HIN and \overline{LIN}	V_{IH}		2.5	-	-	V
Logic "0" Input voltage HIN and \overline{LIN}	V_{IL}		-	-	0.8	
Input positive going threshold	$V_{IN,TH+}$		-	1.9	-	
Input negative going threshold	$V_{IN,TH-}$		-	1.4	-	
Logic "1" Input bias current	I_{HIN+}	$V_{IN}=5V$	-	50	70	μA
Logic "0" Input bias current	I_{HIN-}	$V_{IN}=0V$	-	0	1	
Logic "1" Input bias current	I_{LIN+}	$V_{IN}=5V$	-	0	1	
Logic "0" Input bias current	I_{LIN-}	$V_{IN}=0V$	-	50	70	

DYNAMIC ELECTRICAL CHARACTERISTICS

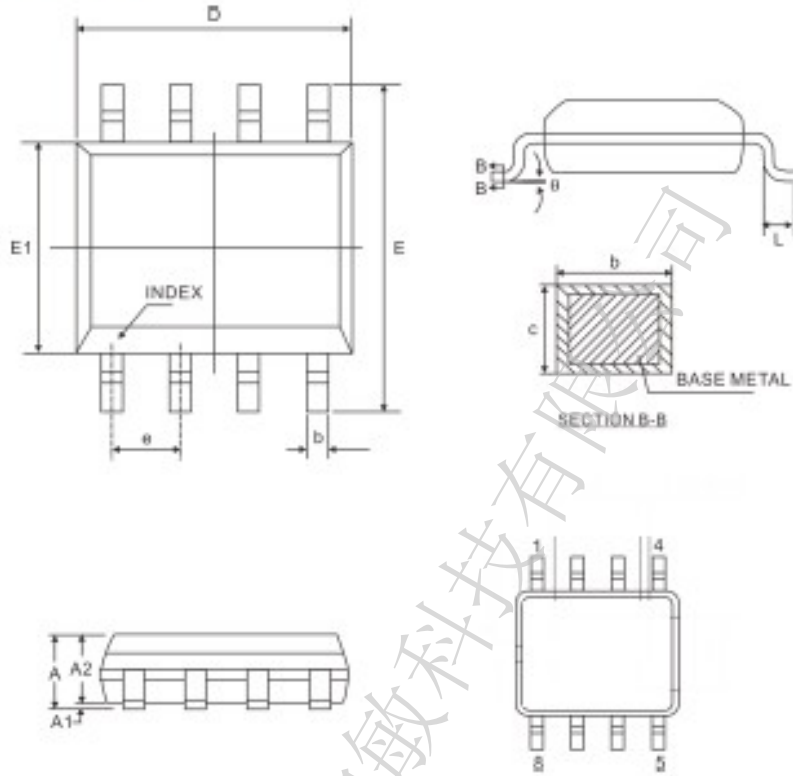
($V_{CC-COM} = (V_B - V_S) = 15V$, $V_S = COM$, and $C_{HO} = C_{LO} = 1nF$ unless otherwise specified, $T_{AMB} = 25 \text{ } ^\circ C$)

Parameter	Symbol	Test Conditions	Min.	Typ.	Max.	Unit
VCC operating Vcc supply current	I_{VCCOP}	$f_{LIM} = 20k$, $f_{HIN} = 20k$,	-	1.2	2.5	mA
Turn-On propagation delay	t_{ON}		400	500	600	ns
Turn-Off Propagation delay	t_{OFF}		400	500	600	
Turn-On Rise time	t_R		-	70	-	
Turn-Off Fall time	t_F		-	32	-	
Input filter	t_{fit}	$V_{IN} = 0$ or $5V$,	150	250	350	
Dead Time	DT	HIN and LIN inputs without external dead time	300	500	700	
Delay Matching(t_{ON} , t_{OFF})	MT	HIN and LIN inputs with external dead time $> 2\mu s$	-	-	70	
Output Pulse-Width Matching	PM	External dead time $> 2\mu s$, $PW_{IN} = 10\mu s$, $PM = PW_{OUT} - PW_{IN}$	-	-	70	ns

深圳市鈞敏科技有限公

PACKAGE INFORMATION

8-PIN, SOP, 150MIL



Symbol	Dimensions(mm)		
	Min.	Nom.	Max.
A	-	-	1.70
A1	0.00	-	0.15
A2	1.25	-	-
b	0.31	-	0.51
c	0.10	-	0.25
e	1.27 BSC		
D	4.90 BSC		
E	6.00 BSC		
E1	3.90 BSC		
L	0.40	0.60	1.27
θ	0°	-	8°

IMPORTANT NOTICE

Princeton Technology Corporation (PTC) reserves the right to make corrections, modifications, enhancements, improvements, and other changes to its products and to discontinue any product without notice at any time.

PTC cannot assume responsibility for use of any circuitry other than circuitry entirely embodied in a PTC product. No circuit patent licenses are implied.

Princeton Technology Corp.
2F, 233-1, Baociao Road,
Sindian, Taipei23145, Taiwan
Tel: 886-2-66296288
Fax: 886-2-29174598
<http://www.princeton.com.tw>

深圳市鈞敏科技有限公司

REVISION HISTORY

Date	Revision No.	Reference No.	Modification
10/31/2012	PT5606 REF1.0		Initial version
10/25/2014	PT5606 REF1.1		Correct errors, modify parameters and diagrams Add package information

深圳市鈞敏科技有限公司