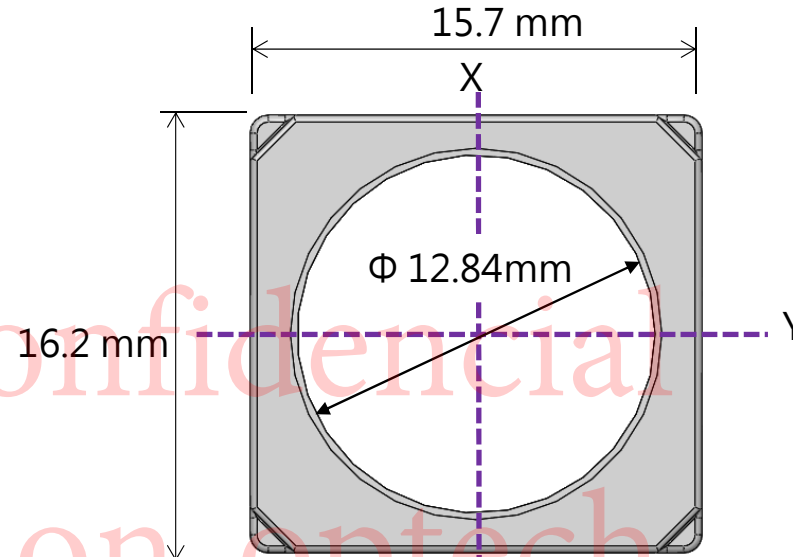


TPC1303 Specification _ Bimorph type

Specification	
Appearance Size:	15.7 x 16.2 x 3.7 mm
Lens Diameter:	∅ 12.84 mm
Moving Part Weight:	<1g
Mechanical Stroke:	0.6 mm
Voltage:	<±8~15V
Speed:	>3mm/s
Frequency	150~250kHz



Pin assignment	
1	TMR Vout2
2	TMR GND
3	TMR Vout1
4	TMR VDD
5	AF-GND
6	AF-VDD

