

DESCRIPTION

The PT2465 is a PWM constant-current type stepping motor driver designed for sinusoidal-input micro-step control of stepping motors.

The PT2465 provides several excitation modes for bipolar stepping motor, such as 2-phase, 1-2-phase, W1-2-phase and 2W1-2 phase. The PT2465 is capable of forward and reverse driving of a 2-phase bipolar stepping motor using only a clock signal.

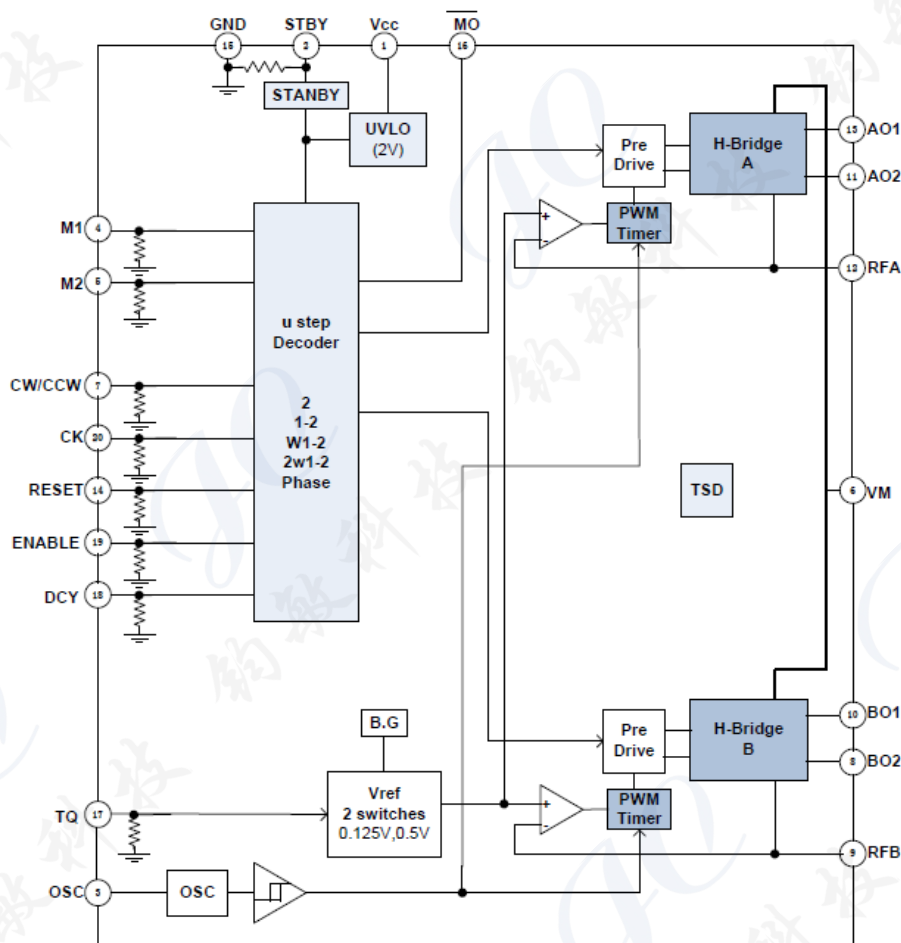
APPLICATIONS

- Digital camera system
- Interchangeable Lens

FEATURES

- Range of motor power supply voltage:
 - Control (VCC): 2.5V to 5.5V
 - Motor (VM) : 2.5V to 16V
- Output current: $I_{OUT} \leq 0.8 \text{ A}$ (max)
- Output ON-resistance: $R_{ON} = 1.5\Omega$ (upper and lower total @ $V_M = 7 \text{ V}$)
- Decoder that enables microstep control with the clock signal
- Selectable phase excitation modes (2, 1-2, W1-2 and 2W1-2)
- Internal pull-down resistors on inputs: 200 K Ω (typ.)
- Output monitor pin (\overline{MO})
- Thermal shutdown (TSD) protection
- Under voltage lock out (UVLO) protection
- Small surface-mount package (TSSOP-20 173mil, 0.65 mm lead pitch)

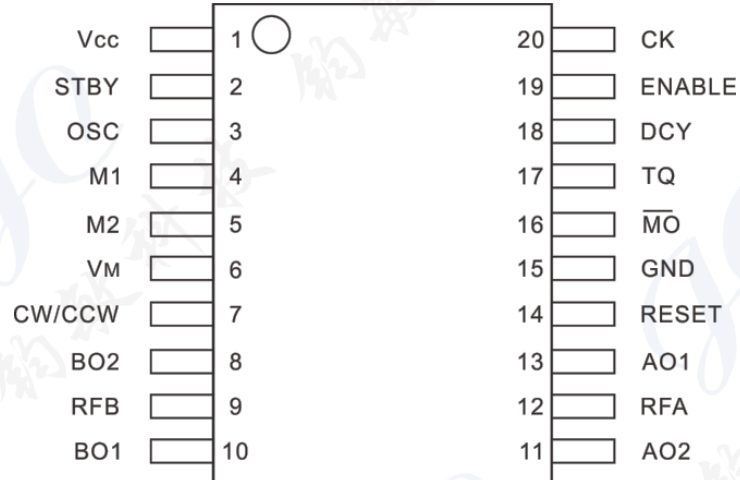
BLOCK DIAGRAM



ORDER INFORMATION

Part Number	Package Type	Top Code
PT2465-TX	20-PIN, TSSOP, 173MIL	PT2465-TX

PIN CONFIGURATION



IMPORTANT NOTICE

Princeton Technology Corporation (PTC) reserves the right to make corrections, modifications, enhancements, improvements, and other changes to its products and to discontinue any product without notice at any time.

PTC cannot assume responsibility for use of any circuitry other than circuitry entirely embodied in a PTC product. No circuit patent licenses are implied.

Princeton Technology Corp.
2F, 233-1, Baociao Road,
Xindian, Taipei 23145, Taiwan
Tel: 886-2-66296288
Fax: 886-2-29174598
<http://www.princeton.com.tw>